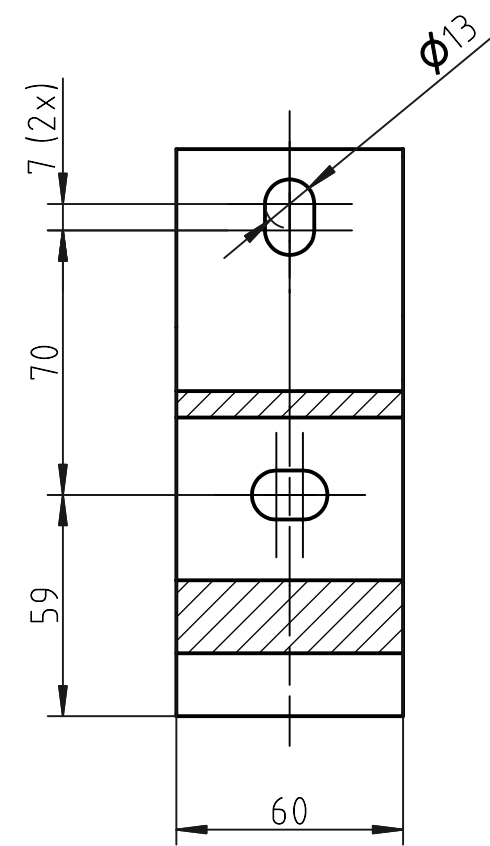
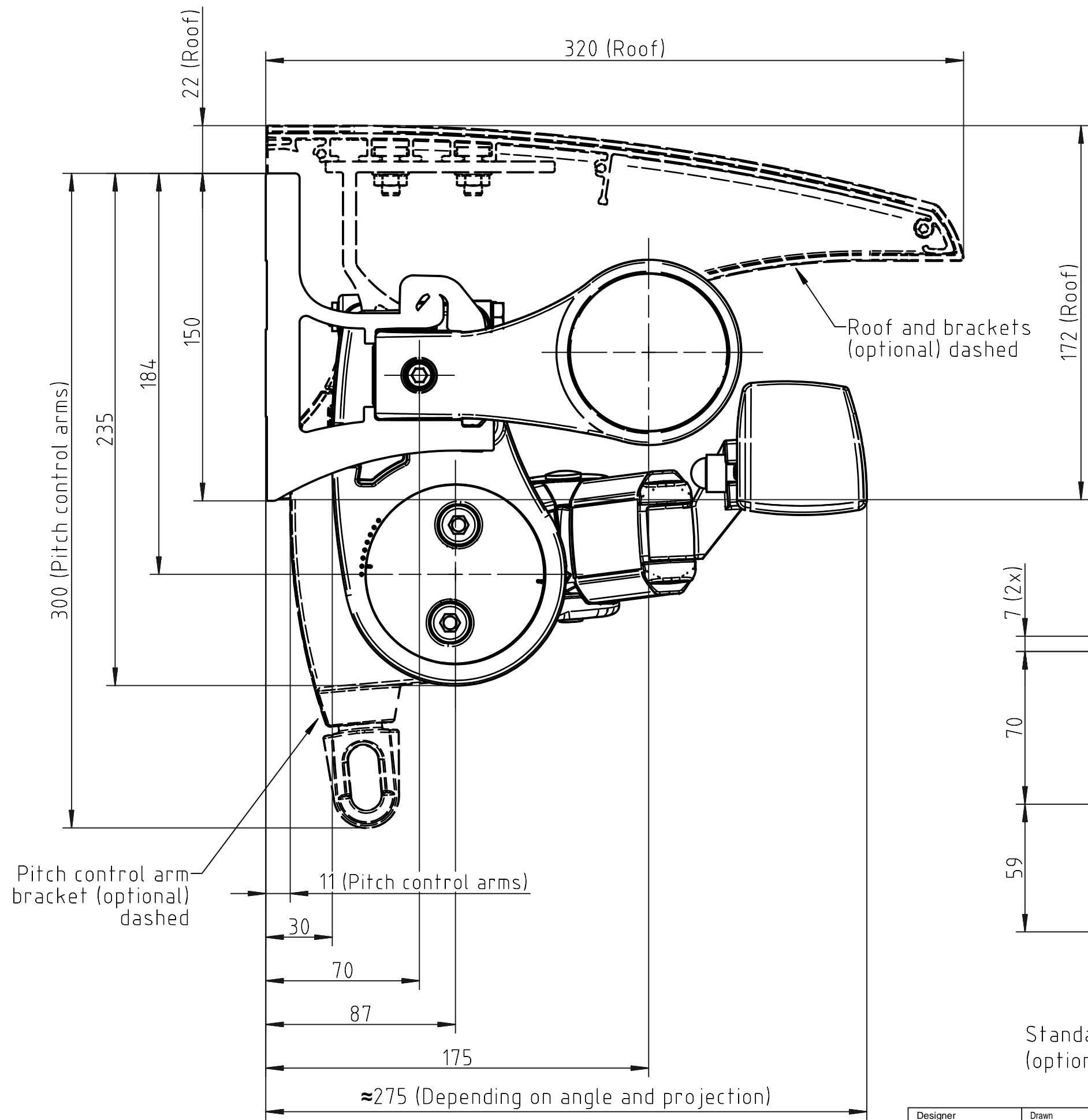
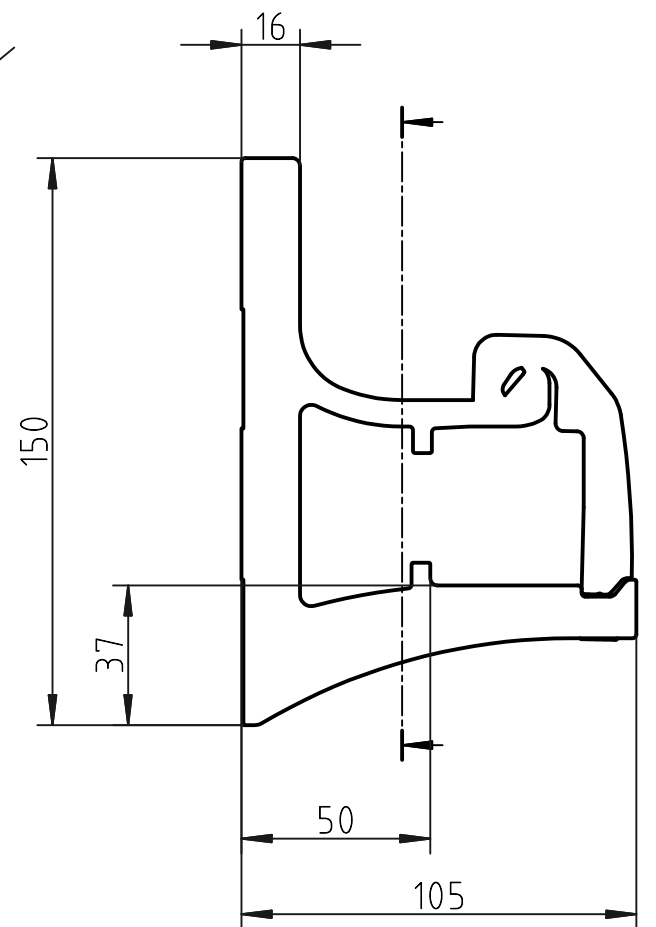


All rights reserved. This drawing is the property of Hunter Douglas Scandinavia AB. The drawing may not be copied or multiplied in any way, neither wholly nor in part. It may not be submitted for perusal, or in any way shared with third parties without the written consent of Hunter Douglas Scandinavia AB.

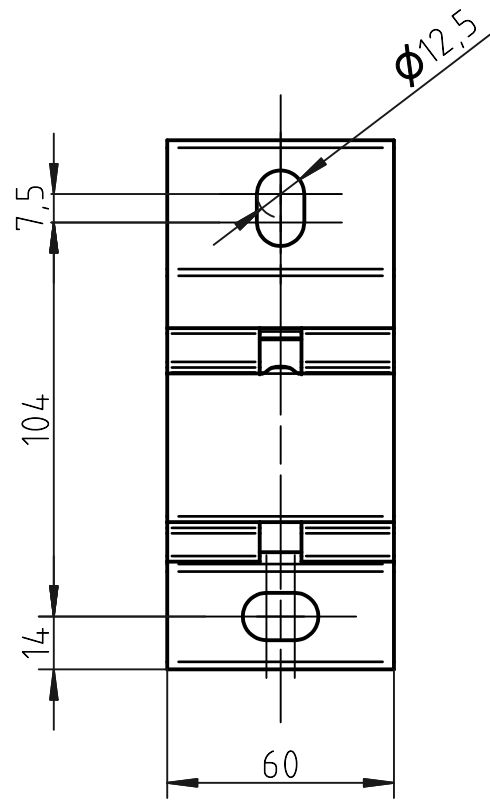


Standard wall bracket  
(optional brackets page 2)

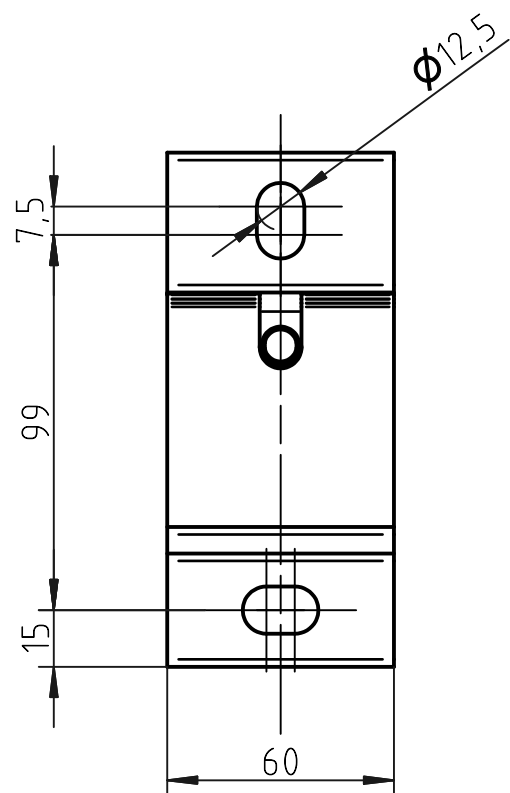
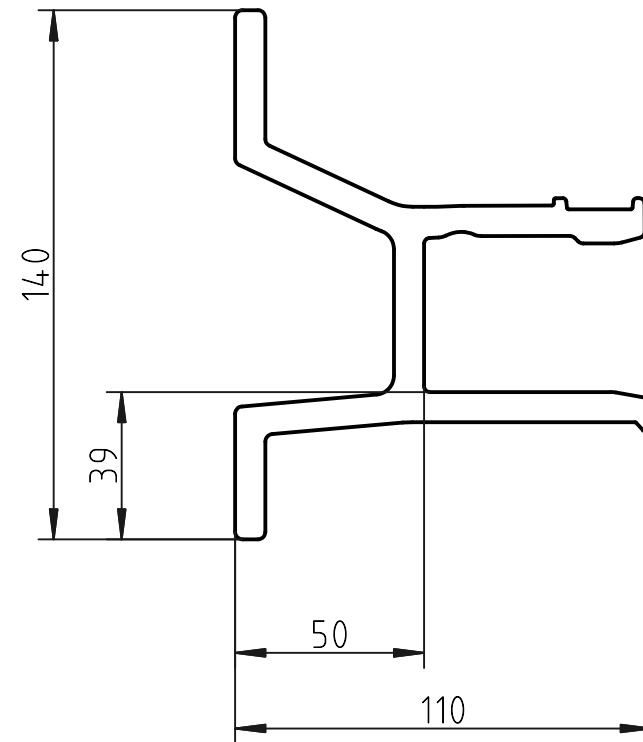


Designer CS	Drawn CS	Approved	Weight 0,0 kg		Date 2014-11-07	Replaces
<b>HunterDouglas</b> Hunter Douglas Scandinavia AB		Description Folding arm awning		Scale 1:2	Sheet 1 / 2	
		Article number FA44		Drawing number FA44	Rev. 1	

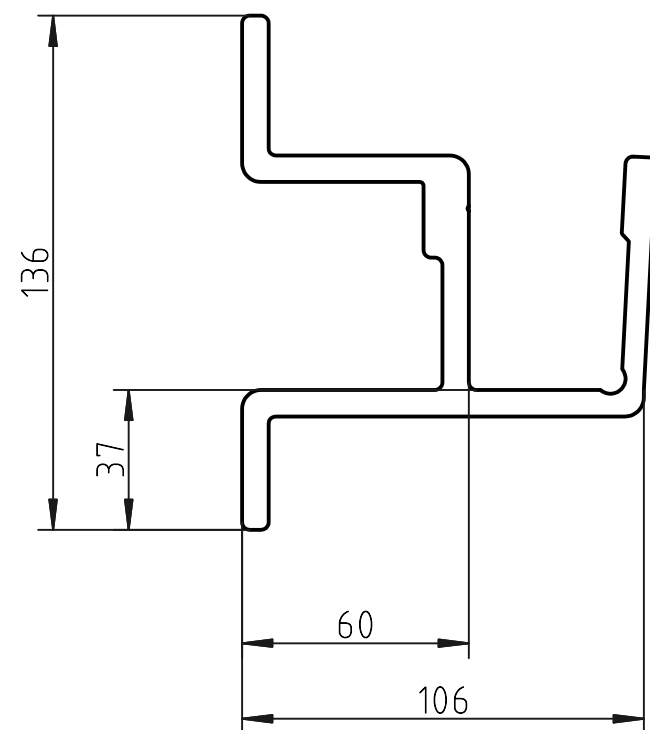
All rights reserved. This drawing is the property of Hunter Douglas Scandinavia AB. The drawing may not be copied or multiplied in any way, neither wholly nor in part. It may not be submitted for perusal, or in any way shared with third parties without the written consent of Hunter Douglas Scandinavia AB.

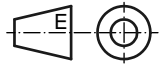


Basic wall bracket



Combined wall/roof bracket



Designer CS	Drawn CS	Approved	Weight N/A		Date 2012-10-22	Replaces	
<b>HunterDouglas</b> Hunter Douglas Scandinavia AB				Description		Scale 1:2	Sheet 2 / 2
				Article number		Drawing number FA44	Rev. 1