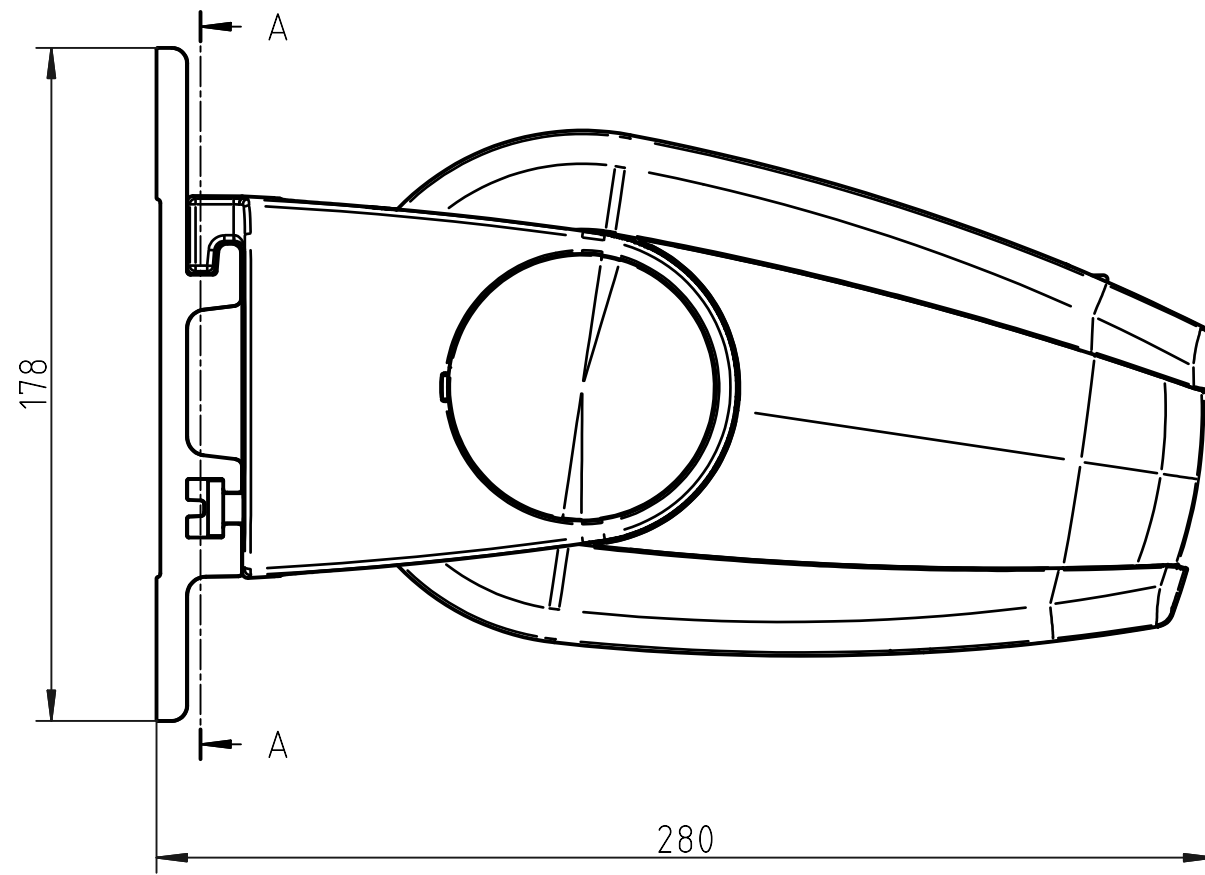
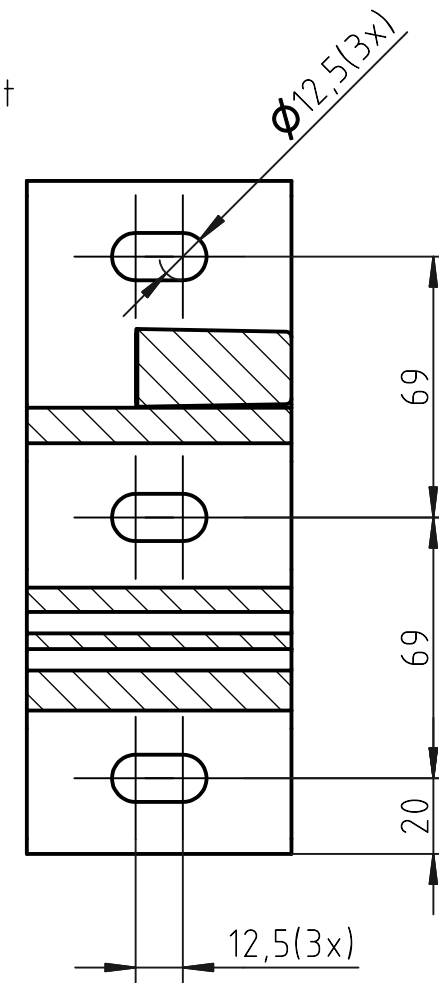
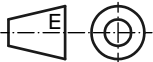


All rights reserved. This drawing is the property of Hunter Douglas Scandinavia AB. The drawing may not be copied or multiplied in any way, neither wholly nor in part. It may not be submitted for perusal, or in any way shared with third parties without the written consent of Hunter Douglas Scandinavia AB.



A-A:  
Wall bracket



Designer CS	Drawn CS	Approved	Weight 0,0 kg		Date 2014-06-09	Replaces
<b>Hunter Douglas</b> Hunter Douglas Scandinavia AB		Description Folding arm awning			Scale 1:2	Sheet 1 / 1
		Article number FA62			Drawing number FA62	Rev. 1